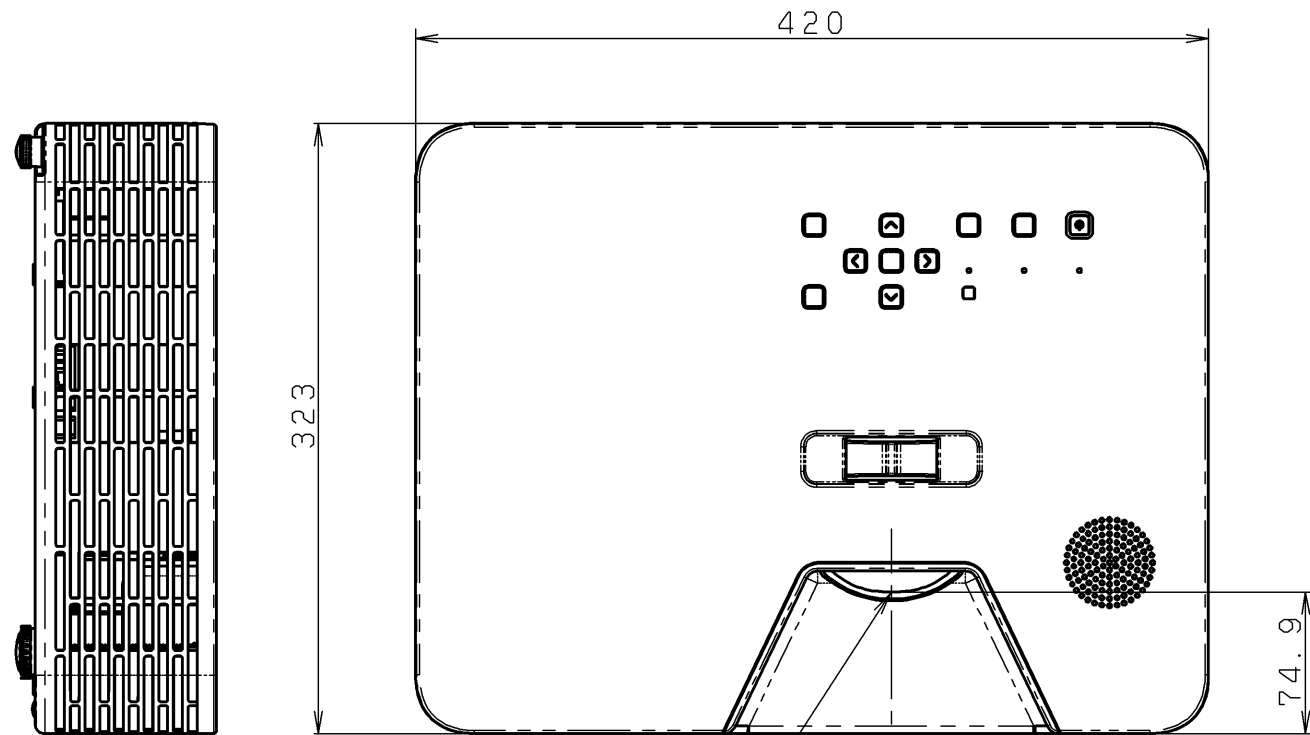
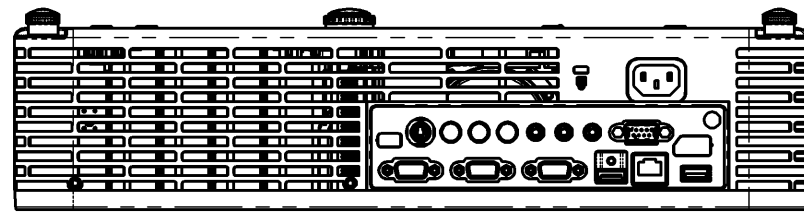
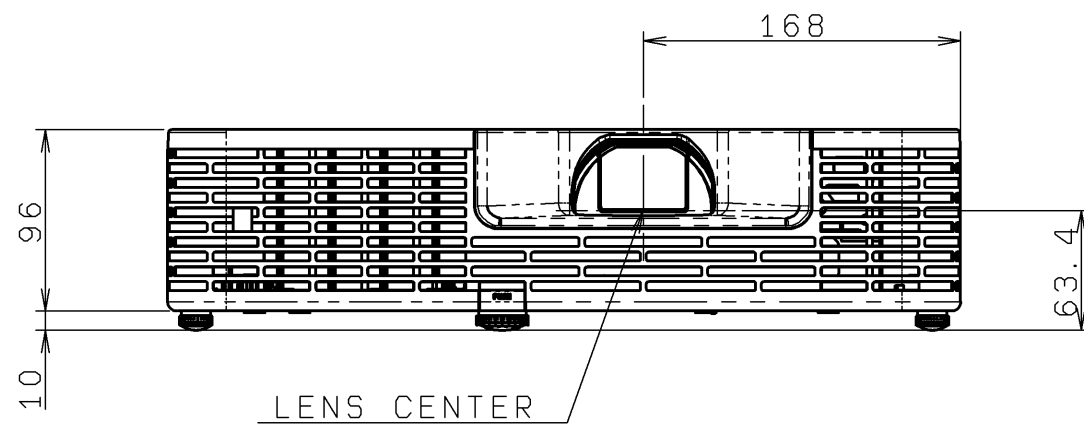
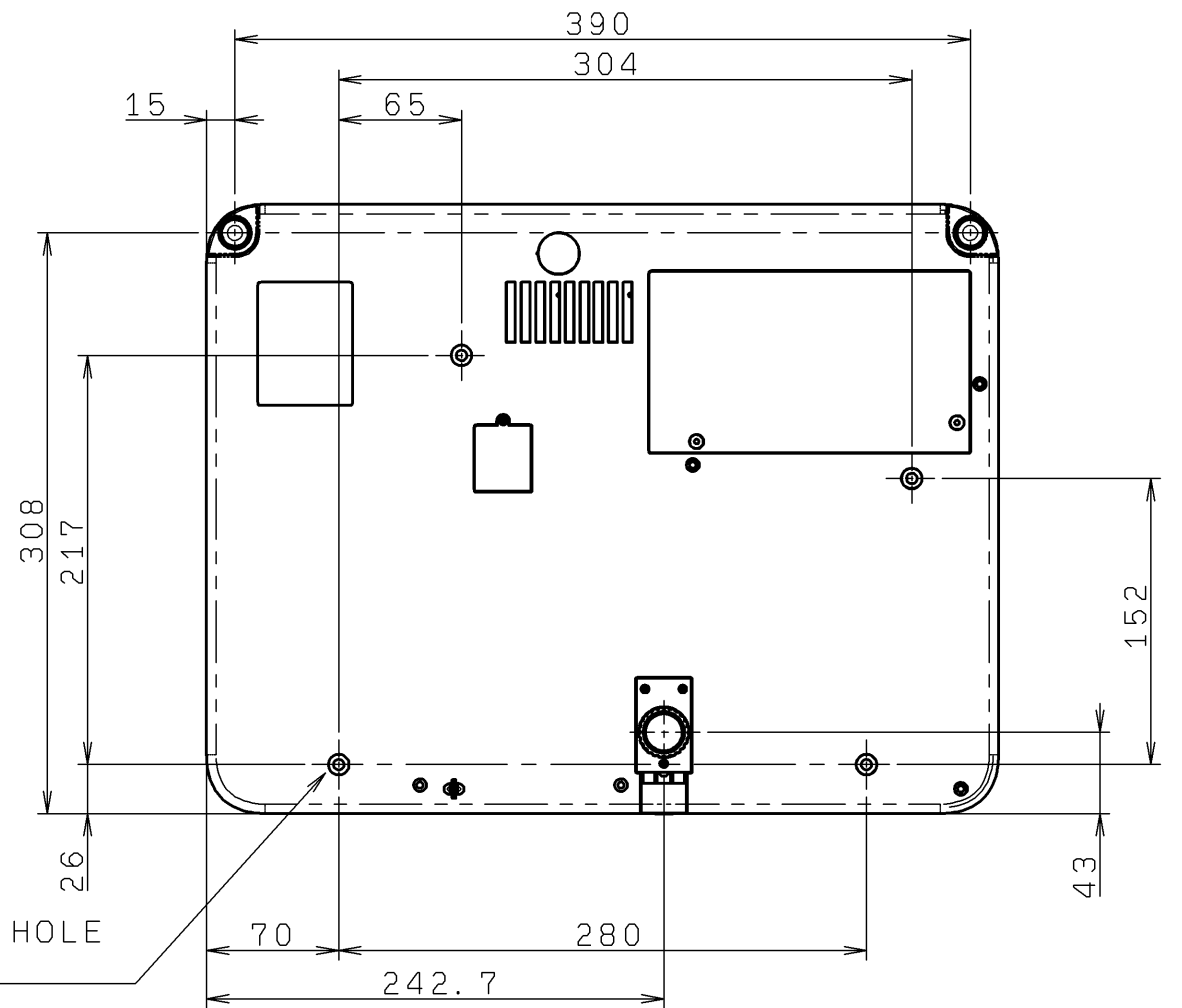


■MODEL XJ-ST155/ST145
(UNIT: mm)



LENS POSITION

CEILING MOUNT SCREW HOLE
(M4X4)



LENS CENTER

COOLING IMAGE

